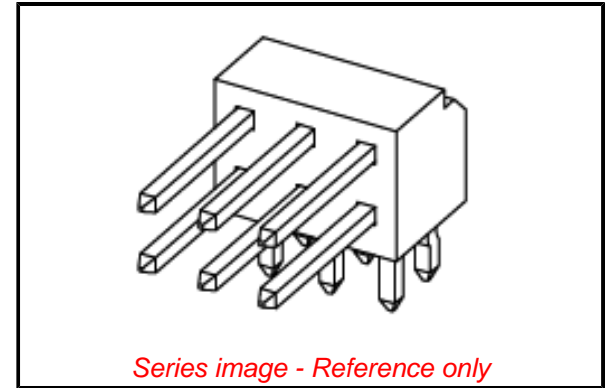


PLEASE CHECK WWW.MOLEX.COM FOR LATEST PART INFORMATION

Part Number: [0877600816](#)
Status: **Active**
Overview: Milli-Grid Connector System
Description: 2.00mm Pitch Milli-Grid Header, Right-Angle, Through Hole, 8 Circuits, 0.38µm Gold (Au) Selective Plating, Tray, Lead-Free

Documents:

3D Model	Application Specification 503940001-AS-000 (PDF)
3D Model (PDF)	Packaging Specification PK-89990-487-001 (PDF)
Drawing (PDF)	Test Summary 877610000-TS-000 (PDF)
Product Specification PS-87761-100-001 (PDF)	RoHS Certificate of Compliance (PDF)



Agency Certification

CSA	LR19980
UL	E29179

General

Product Family	PCB Headers
Series	87760
Application	Board-to-Board, Signal, Wire-to-Board
Comments	Lead-Free version of 87049 series
Overview	Milli-Grid Connector System
Product Name	Milli-Grid
Taxonomy	PCB Headers and Receptacles
UPC	822348231690

Physical

Breakaway	No
Circuits (Loaded)	8
Circuits (maximum)	8
Color - Resin	Black
First Mate / Last Break	No
Flammability	94V-0
Glow-Wire Capable	No
Guide to Mating Part	No
Keying to Mating Part	None
Lock to Mating Part	None
Mated Height	4.00mm
Material - Metal	Phosphor Bronze
Material - Plating Mating	Gold
Material - Plating Termination	Tin
Material - Resin	High Temperature Thermoplastic
Net Weight	0.327/g
Number of Rows	2
Orientation	Right Angle
PC Tail Length	2.60mm
PCB Locator	No
PCB Retention	None
PCB Thickness - Recommended	1.60mm
Packaging Type	Tray
Pitch - Mating Interface	2.00mm
Pitch - Termination Interface	2.00mm
Plating min - Mating	0.381µm
Plating min - Termination	1.905µm
Polarized to Mating Part	No
Polarized to PCB	No
Shrouded	No

EU ELV

Not Relevant

EU RoHS

Compliant

REACH SVHC

Not Contained Per -
D(2022)4187-DC (10
June 2022)

Halogen-Free

Status

Not Low-Halogen

For more information, please visit [Contact US](#)

China ROHS

ELV

RoHS Phthalates

China RoHS

Green Image

Not Relevant

Not Contained

Search Parts in this Series

[87760](#) Series

Mates With

Milli-Grid Vertical Through Hole Receptacle [79107](#) , [78787](#) . Milli-Grid Flex-to-Board Vertical Receptacle [79108](#) . Milli-Grid Vertical Surface Mount Receptacle [79109](#) , [78788](#) . Milli-Grid Top Entry Surface Mount Receptacle [87381](#) . Milli-Grid Side Entry Surface Mount Receptacle [87264](#)

Stackable	Yes
Surface Mount Compatible (SMC)	Yes
Temperature Range - Operating	-55° to +105°C
Termination Interface: Style	Through Hole

Electrical

Current - Maximum per Contact	2.0A
Voltage - Maximum	125V

Solder Process Data

Duration at Max. Process Temperature (seconds)	014
Lead-free Process Capability	WAVE
Max. Cycles at Max. Process Temperature	001
Process Temperature max. C	265

Material Info**Reference - Drawing Numbers**

Application Specification	503940001-AS-000
Packaging Specification	PK-89990-487-001
Product Specification	PS-87761-100-001
Sales Drawing	SD-87760-109-001
Test Summary	877610000-TS-000

This document was generated on 10/10/2022

PLEASE CHECK WWW.MOLEX.COM FOR LATEST PART INFORMATION